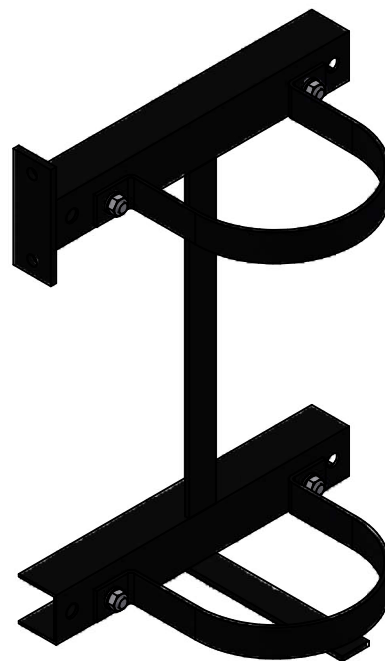
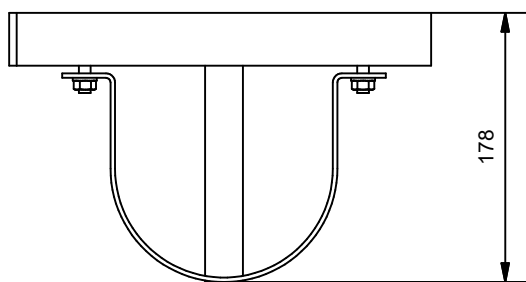
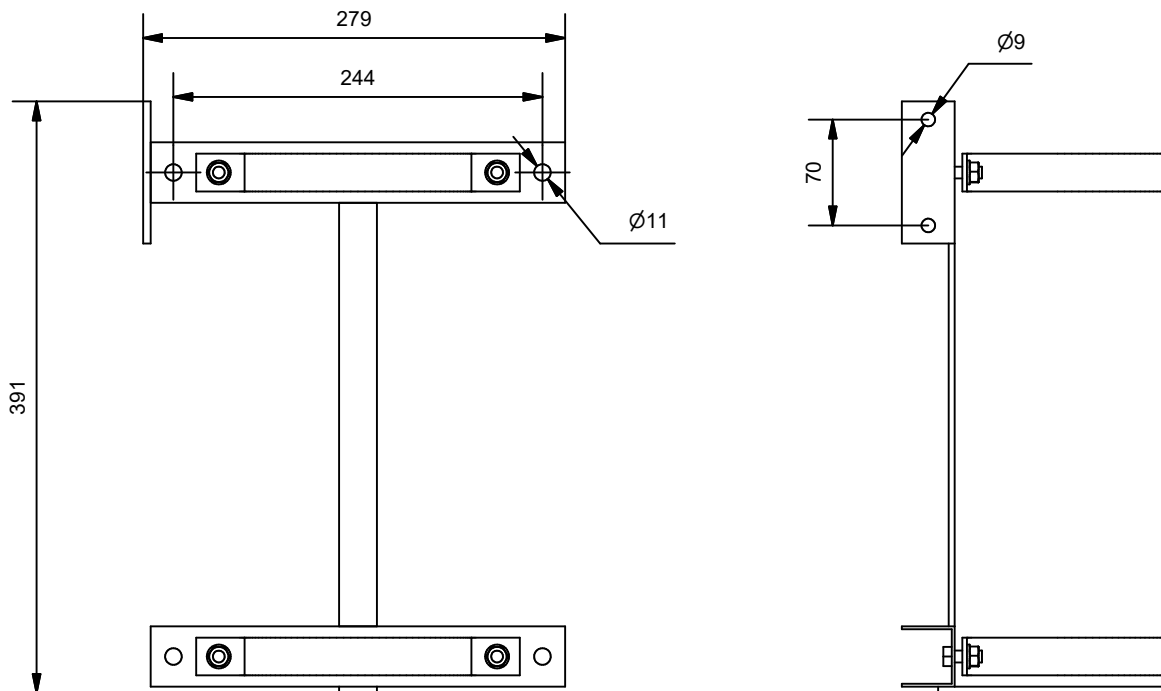



IRONWORK FOR PILOT BOTTLE

HP274



| Spécifications | |
|----------------|--------------------------|
| Weight | 2 Kg |
| Finished | Black paint (RAL 9005) |

| | |
|---|-------------------------------|
|  aguilera extinción | Av. Alfonso Peña Boeuf, 6 y 9 |
| | 28022 MADRID - ESPAÑA |
| | TEL: +34 913121656 |
| | FAX: +34 913295820 |

TECHNICAL DATA SHEET

IRONWORK FOR PILOT BOTTLE

Description: Element used to anchor the pilot bottle to the wall. In the case of being next to a battery in double row can also be anchored to the battery.

| Sheet code: | Solution sheet: | Reference: | Drawn: | Date: | Revised: | Date: | Revision: | Format: |
|----------------|-----------------|------------|--------|----------|----------|----------|-----------|---------|
| AEX-FTC-61-014 | FK-5-1-12 | HP274 | DCM | 01-08-23 | ENC | 01-08-23 | 1.1 | A4 |